

ECLITTICA BIANCA™

ORBITA COLLECTION



Designers ARCADESTUDIO and UNICA

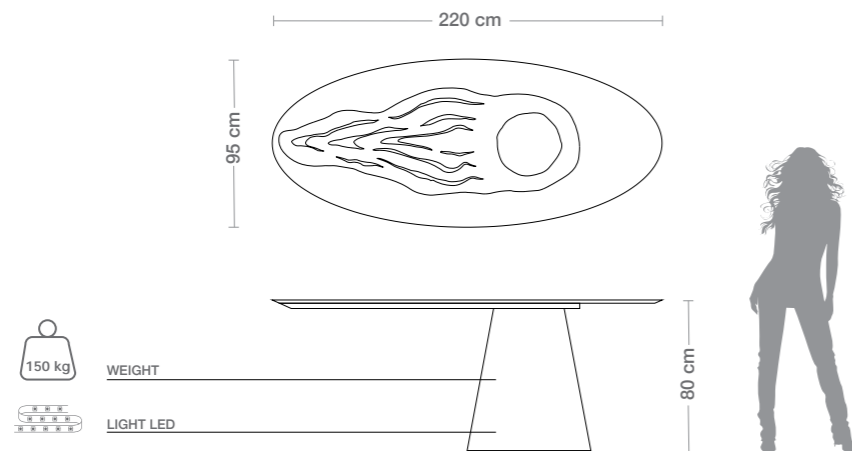
Product features Table with extra-clear, laminated, elliptical glass top, thickness 12 mm, decorated with *Trilli Effect* (golden powder).

Stainless steel structure, thickness 5 mm, with matt white painting on the outside and gold colored leaf finishing on the inside. Aluminum plate, thickness 30 mm, shaped with laser cutting, matt white painting on the outer edge and upper side covered with gold colored leaf.

Possibility of internal led lighting.

Dimensions L. 220 cm W. 95 cm H. 80 cm

Weight 321 kg



Materials and processes

